



## FIXED MOUNT AREA IMAGER BAR CODE READER

The Gryphon™ 4000 series represents the premium level of data collection devices from Datalogic ADC. Using advanced imaging technology, the Gryphon™ GFS4400 2D fixed mount bar code reader provides a complete self-contained solution for OEM use into self-service kiosks, price verifiers, ticket readers, document handling, and medical laboratory applications, as well as vending machines and other automated equipment.

Designed for easy integration, the Gryphon GFS4400 2D module provides a 'plug-and-play' solution for system designers. Constructed using high-impact resin to withstand repeated cleanings with solvents and disinfectant solutions, the sealed enclosure meets industrial standards against water and particulates to provide dependable scanning performance.

The GFS4400 2D OEM module features outstanding near-field reading, a wide angle field-of-view, high motion tolerance, snappy reading, and also offers excellent performance on decoding poor or damaged bar codes. As with all Gryphon readers, the GFS4400 reader offers good-read visual confirmation with Datalogic's patented 'Green Spot' technology.

User comfort is maximized with the GFS4400 OEM module's steady, deep red illumination light. Easier on the eyes than competitive products with flicker illumination, the highly visible 4-Dot aimer defines a precise reading zone and reduces accidental reads. The aimer's center cross provides a locator for targeted scanning in a multiple bar code environment.

The GFS4400 OEM module provides snappy reading performance on all common 1D and 2D codes as well as postal, stacked and composite codes like PDF417. For mobile marketing or ticketing applications, this imager also offers excellent performance when reading bar codes from mobile devices.

The GFS4400 OEM module eliminates the need for separate equipment with signature capture and document scanning capabilities.

The GFS4400 OEM module supports several modes that can be used as a trigger. This module has the ability to automatically sense objects and trigger itself. A continuous scan mode captures data whenever a bar code passes into its field-of-view. The reader can also be triggered remotely through software commands or via hardware input from programmable logic controller (PLC) or sensor.

The GFS4400 OEM module supports an RS-232 serial interface, a USB HID Keyboard and a USB COM interface. Available in two models, the GFS4450-9 model supports an RS-232 serial interface, or the GFS4470 features a USB interface.

## FEATURES

- Highly visible 4-Dot aimer with center cross for targeted scanning
- Omnidirectional reading
- Advanced motion tolerance optics
- Image capture and document scanning capabilities
- Reads bar codes down to 4mils
- Reads 1D, 2D and postal codes plus stacked and composite codes
- Interface options: RS-232 or USB
- Datalogic's patented Green Spot for good-read feedback
- Integrated good-read beeper
- Automatic sensing or manual trigger options available
- High-impact resin creates a solvent-tolerant enclosure
- Water and Particulate Sealing Rating: IP54



# SPECIFICATIONS

# GRYPHON™ | GFS4400 2D

## DECODING CAPABILITY

<b>1D / LINEAR CODES</b>	Autodiscriminates all standard 1D codes including GS1 DataBar™ linear codes.
<b>2D CODES</b>	Aztec Code; China Han Xin Code; Data Matrix; MaxiCode; Micro QR Code; QR Code
<b>POSTAL CODES</b>	Australian Post; British Post; China Post; IMB; Japanese Post; KIX Post; Korea Post; Planet Code; Postnet; Royal Mail Code (RM4SCC)
<b>STACKED CODES</b>	EAN/JAN Composites; GS1 DataBar Composites; GS1 DataBar Expanded Stacked; GS1 DataBar Stacked; GS1 DataBar Stacked Omnidirectional; MacroPDF; MicroPDF417; PDF417; UPC A/E Composites

## ELECTRICAL

<b>CURRENT</b>	Operating (Typical): < 180 mA Standby/Idle (Typical): Automatic Object Sense Mode: 115 mA Online & Serial OnLine Modes: 65 mA
<b>INPUT VOLTAGE</b>	5 VDC +/- 5%

## ENVIRONMENTAL

<b>AMBIENT LIGHT</b>	0 - 100,000 lux
<b>DROP RESISTANCE</b>	Withstands repeated drops from 0.76 m / 2.50 ft onto a concrete surface
<b>HUMIDITY (NON-CONDENSING)</b>	5-95%
<b>PARTICULATE AND WATER SEALING</b>	IP54
<b>TEMPERATURE</b>	Operating: -20 to 50 °C / -4 to 122 °F Storage/Transport: -20 to 70 °C / -4 to 158 °F

## INTERFACES

<b>INTERFACES</b>	OEM (IBM) USB; RS-232; USB: USB COM; USB HID Keyboard
-------------------	---

## PHYSICAL CHARACTERISTICS

<b>COLORS AVAILABLE</b>	Grey; Other colors and custom logo options are available for minimum quantity purchase.
<b>DIMENSIONS</b>	3.9 x 5.7 x 5.8 cm / 1.5 x 2.2 x 2.3 in
<b>WEIGHT (WITH CABLE)</b>	USB: 170 g / 6.3 oz RS-232: 204 g / 7.2 oz

## READING PERFORMANCE

<b>IMAGE CAPTURE</b>	Graphic Formats: BMP, JPEG, TIFF; Greyscale: 256, 16, 2
<b>IMAGER SENSOR</b>	Wide VGA: 752 x 480 pixels
<b>LIGHT SOURCE</b>	Aiming: 650 nm VLD
<b>PRINT CONTRAST RATIO (MINIMUM)</b>	25%
<b>READING ANGLE</b>	Pitch: +/- 40°; Roll (Tilt): 180°; Skew (Yaw): +/- 40°
<b>READING INDICATORS</b>	Beeper (Adjustable Tone); Datalogic 'Green Spot' Good Read Feedback; Good Read LED
<b>RESOLUTION (MAXIMUM)</b>	1D Linear: 0.102 mm / 4 mils Data Matrix: 0.178 mm / 7 mils PDF417: 0.102 mm / 4 mils

## READING RANGES

<b>TYPICAL DEPTH OF FIELD</b>	Minimum distance determined by symbol length and scan angle. Printing resolution, contrast, and ambient light dependent. Code 39: 5 mil: 4.7 to 17.7 cm / 1.8 to 7.0 in Code 39: 10 mil: 1.7 to 33.2 cm / 0.7 to 13.1 in Data Matrix: 10 mil: 2.7 to 17.1 cm / 1.0 to 6.7 in Data Matrix: 15 mil: 1.2 to 24.6 cm / 0.5 to 9.7 in EAN: 13 mil: 2.5 to 41.9 cm / 1.0 to 16.5 in PDF417: 10 mil: 2.2 to 23.9 cm / 0.9 to 9.4 in QR Code: 10 mil: 3.5 to 16.0 cm / 1.4 to 6.3 in
-------------------------------	--

## SAFETY & REGULATORY

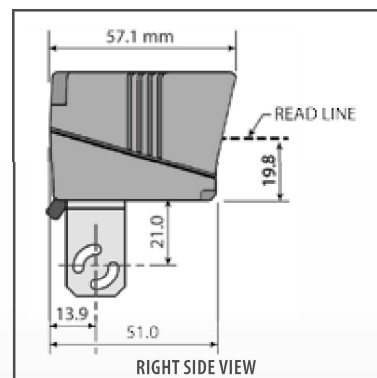
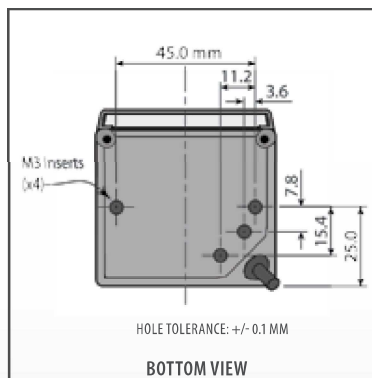
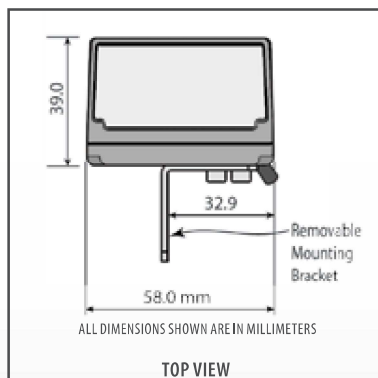
<b>AGENCY APPROVALS</b>	The product meets necessary safety and regulatory approvals for its intended use. The Quick Reference Guide for this product can be referred to for a complete list of certifications.
<b>ENVIRONMENTAL COMPLIANCE</b>	Complies to China RoHS; Complies to EU RoHS
<b>LASER CLASSIFICATION</b>	Caution Laser Radiation - Do not stare into beam; IEC 60825, Class2

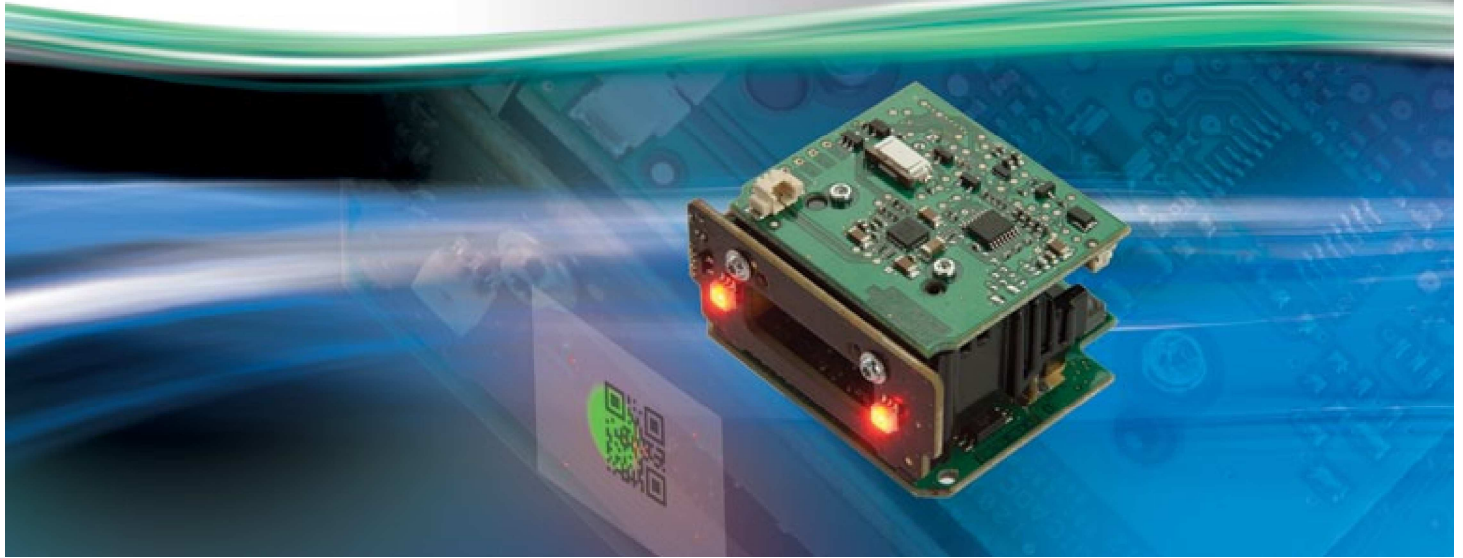
## UTILITIES

<b>DATALOGIC ALADDIN™</b>	Datalogic Aladdin configuration program is available for download at no charge.
<b>OPOS / JAVAPOS</b>	JavaPOS Utilities are available for download at no charge. OPOS Utilities are available for download at no charge.
<b>REMOTE HOST DOWNLOAD</b>	Lowers service costs and improves operations.

## WARRANTY

<b>WARRANTY</b>	3-Year Factory Warranty
-----------------	-------------------------





## FIXED MOUNT AREA IMAGER BAR CODE READER

The Gryphon™ 4000 series represents the premium level of data collection devices from Datalogic ADC. Using advanced imaging technology, the Gryphon™ GFE4400 2D engine provides a compact and easy-to-use solution for OEM use in self-service kiosks, price verifiers, ticket readers, document handling and medical laboratory applications, as well as vending machines and other automated equipment.

The GFE4400 2D OEM engine features outstanding near-field reading, a wide angle field-of-view, high motion tolerance, snappy reading, and also offers excellent performance on decoding poor or damaged bar codes. As with all Gryphon readers, the GFE4400 2D OEM engine offers good-read visual confirmation with Datalogic's patented 'Green Spot' technology.

User comfort is maximized with the GFE4400 2D OEM engine's steady, deep red illumination light. Easier on the eyes than competitive products with flicker illumination, the highly visible 4-Dot aimer defines a precise reading zone and reduces accidental reads. The aimer's center cross provides a locator for targeted scanning in a multiple bar code environment.

The GFE4400 2D OEM engine provides snappy reading performance on all common 1D and 2D codes as well as postal, stacked and composite codes like PDF417. For mobile marketing or ticketing applications, this imager also offers excellent performance when reading bar codes from mobile devices.

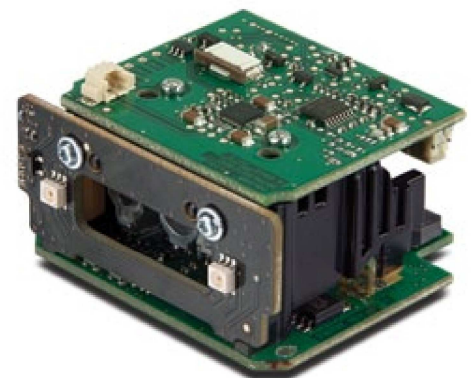
The GFE4400 2D OEM engine eliminates the need for separate equipment with signature capture and document scanning capabilities.

The GFE4400 2D OEM engine supports several modes that can be used as a trigger. This module has the ability to automatically sense objects and trigger itself. A continuous scan mode captures data whenever a bar code passes into its field-of-view. The reader can also be triggered remotely through software commands or via hardware input from programmable logic controller (PLC) or sensor.

The GFE4400 2D OEM engine supports an RS-232 serial interface, a USB HID Keyboard and a USB COM interface.

## FEATURES

- Highly visible 4-Dot aimer with center cross for targeted scanning
- Omnidirectional reading
- Advanced motion tolerance optics
- Image capture and document scanning capabilities
- Reads bar codes down to 4 mils
- Reads 1D, 2D and postal codes plus stacked and composite codes
- Interface options: RS-232 or USB
- Datalogic's patented 'Green Spot' technology for good-read feedback
- Automatic sensing or manual trigger options available



# SPECIFICATIONS

# GRYPHON™ | GFE4400 2D

## DECODING CAPABILITY

1D / LINEAR CODES	Autodiscriminates all standard 1D codes including GS1 DataBar™ linear codes.
2D CODES	Aztec Code; China Han Xin Code; Data Matrix; MaxiCode; Micro QR Code; QR Code
POSTAL CODES	Australian Post; British Post; China Post; IMB; Japanese Post; KIX Post; Korea Post; Planet Code; Postnet; Royal Mail Code (RM4SCC)
STACKED CODES	EAN/JAN Composites; GS1 DataBar Composites; GS1 DataBar Expanded Stacked; GS1 DataBar Stacked; GS1 DataBar Stacked Omnidirectional; MacroPDF; MicroPDF417; PDF417; UPC A/E Composites

## ELECTRICAL

CURRENT	Operating (Typical): < 180 mA Standby/Idle (Typical): Automatic Object Sense Mode: 115 mA Online & Serial OnLine Modes: 65 mA
INPUT VOLTAGE	5 VDC +/- 5%

## ENVIRONMENTAL

AMBIENT LIGHT	0 - 100,000 lux
HUMIDITY (NON-CONDENSING)	5-95%
TEMPERATURE	Operating: -20 to 50 °C / -4 to 122 °F Storage/Transport: -20 to 70 °C / -4 to 158 °F

## INTERFACES

INTERFACES	OEM (IBM) USB; RS-232; USB: USB COM; USB HID Keyboard
------------	---

## PHYSICAL CHARACTERISTICS

DIMENSIONS	2.8 x 4.2 x 4.8 cm / 1.1 x 1.7 x 1.9 in
WEIGHT	USB: 51.2 g / 1.8 oz RS-232: 51.2 g / 1.8 oz

## READING PERFORMANCE

IMAGE CAPTURE	Graphic Formats: BMP, JPEG, TIFF; Greyscale: 256, 16, 2
IMAGER SENSOR	Wide VGA: 752 x 480 pixels
LIGHT SOURCE	Aiming: 650 nm VLD
PRINT CONTRAST RATIO (MINIMUM)	25%
READING ANGLE	Pitch: +/- 40°; Roll (Tilt): 180°; Skew (Yaw): +/- 40°
RESOLUTION (MAXIMUM)	1D Linear: 0.102 mm / 4 mils Data Matrix: 0.178 mm / 7 mils PDF417: 0.102 mm / 4 mils

## READING RANGES

TYPICAL DEPTH OF FIELD	Minimum distance determined by symbol length and scan angle. Printing resolution, contrast, and ambient light dependent. Code 39: 5 mil: 4.7 to 17.7 cm / 1.8 to 7.0 in Code 39: 10 mil: 1.7 to 33.2 cm / 0.7 to 13.1 in Data Matrix: 10 mil: 2.7 to 17.1 cm / 1.0 to 6.7 in Data Matrix: 15 mil: 1.2 to 24.6 cm / 0.5 to 9.7 in EAN: 13 mil: 2.5 to 41.9 cm / 1.0 to 16.5 in PDF417: 10 mil: 2.2 to 23.9 cm / 0.9 to 9.4 in QR Code: 10 mil: 3.5 to 16.0 cm / 1.4 to 6.3 in
------------------------	--

## SAFETY & REGULATORY

AGENCY APPROVALS	The product meets necessary safety and regulatory approvals for its intended use. The Quick Reference Guide for this product can be referred to for a complete list of certifications.
ENVIRONMENTAL COMPLIANCE	Complies to China RoHS; Complies to EU RoHS
LASER CLASSIFICATION	Caution Laser Radiation - Do not stare into beam; IEC 60825, Class 2

## UTILITIES

DATALOGIC ALADDIN™	Datalogic Aladdin configuration program is available for download at no charge.
OPOS / JAVAPOS	JavaPOS Utilities are available for download at no charge. OPOS Utilities are available for download at no charge.
REMOTE HOST DOWNLOAD	Lowers service costs and improves operations.

## WARRANTY

WARRANTY	18-Month Factory Warranty
----------	---------------------------

